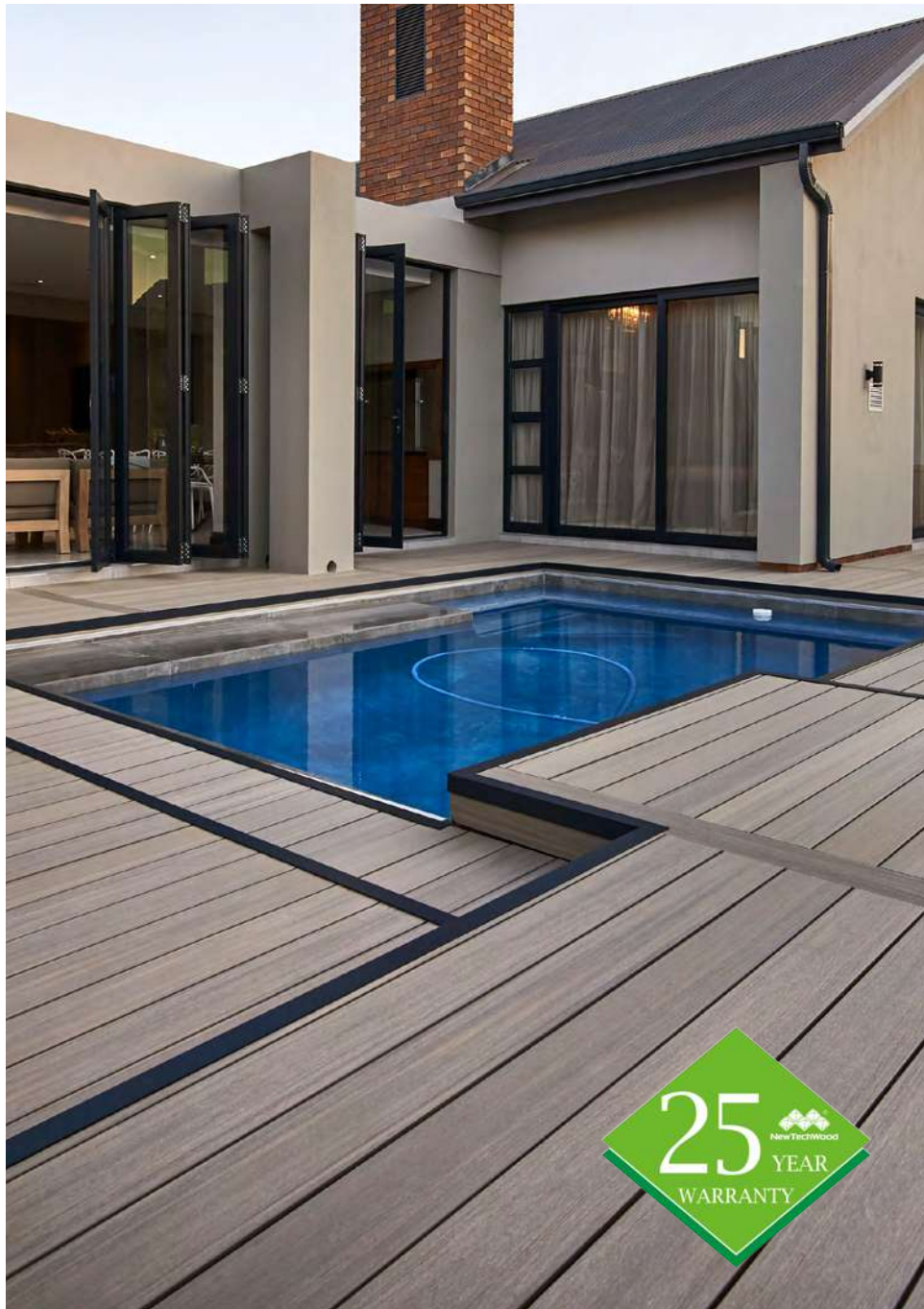




NewTechWood

NewTechWood UltraShield[®]
Composite Decking & Cladding





NewTechWood

NewTechWood is a pioneer in the development and manufacturing of outdoor composite wood decking, wall cladding, fencing, railing, DIY quick deck and garden furnishings.

Since its early beginnings in 2004, NewTechWood has been on the cutting edge in wood plastic composite technology, to develop products that bring beauty and practicality to our outdoor living experience. The secret to our success is that we listen to our customers, contractors, home builders, architects, and homeowners. We provide the materials to bring their visions to life.

NewTechWood has earned a worldwide reputation for our manufacture of attractive, innovative, and dependable wood plastic composite materials. With rich colour variations, from deep chocolate tones to smoky wisps of grey, with natural wood grains, we've got that perfect colour for that special project.

NewTechWood is designed to provide unparalleled Performance and Satisfaction.

NewTechWood UltraShield®

In 2010, NewTechWood began a project to design and formulate the most durable, most attractive, most fade and scratch resistant, most beautiful and most reliable composite

deck board in the industry: **NewTechWood UltraShield®**. Years of engineering and countless hours of field-testing has yielded a product of unmatched performance and beauty. **UltraShield®** combines the proven strength of high-density polyethylene plastic and wood fibres with an outer shell of polymer that completely encapsulates the board in an impermeable layer of protection from scratches, stains & fading.

UltraShield®, is a true game-changer in the composite decking industry. Conventional wood plastic composites are a thing of the past.

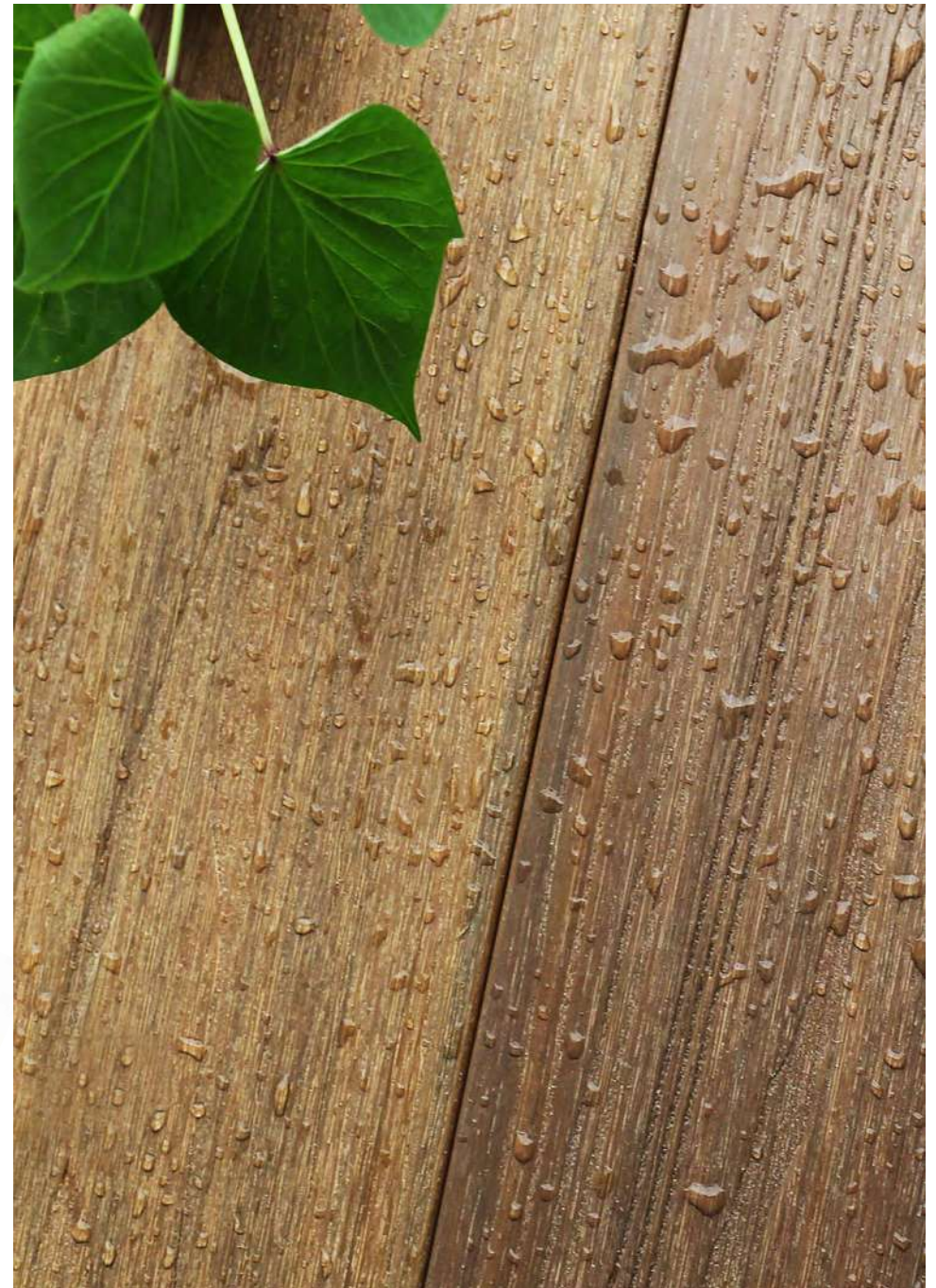
Thinking Green

We were “Green” before “Green” was fashionable. Our parent company has been recycling plastic materials for almost 30 years. Every month we save over 12,000,000 pounds of plastic from being buried in our landfills forever.

Since we control the entire recycling process, including the proper washing, sorting and screening for impurities, we know exactly what material is going into our products. Total vertical integration of our manufacturing process allows us total control, for consistent quality and colour. It also allows us to manage our material costs for stable pricing and dependable product availability.

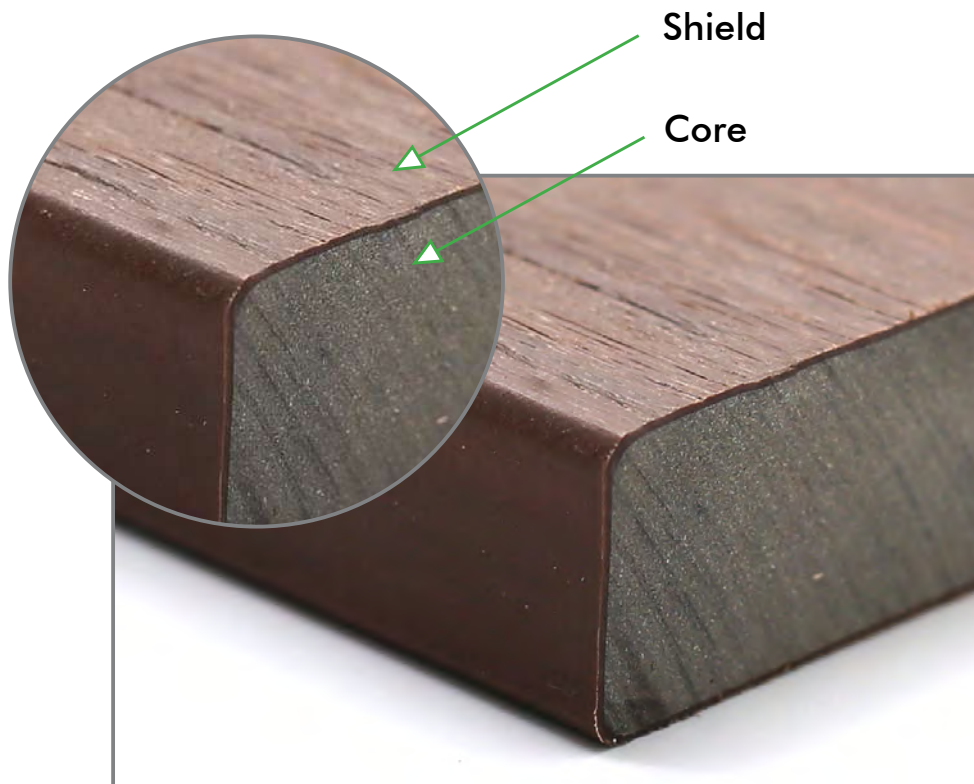
NewTechWood’s foundation was built on green principles and values.

- Our products are made from 95 percent recycled materials, including clear plastic bottles and reclaimed wood fibres.
- We employ yearly third-party audits to comply with environmental, health, and safety guidelines and regulations.
- We’ve reduced our carbon footprint through waste reduction, energy conservation, and our vertically integrated manufacturing process.





NewTechWood **UltraShield®** Technology



UltraShield® is a capped wood plastic composite. With an advanced premium shield encasing all four sides around its inner core. The shield and core are combined under very high-temperatures, creating an impermeable shield.

The shield uses an advanced engineering polymer to create a formulation which gives the boards **Ultra Protection against:**

- **Stains**

Wine, coffee, soy sauce, vegetable oil etc cannot stain the board. Messes can be easily wiped off the surface because the liquid never gets absorbed by the shield, which makes **UltraShield®** very easy to clean and low maintenance.

- **Mildew, Mould, Rotting, Splitting or Cracking**

The shield provides an impermeable layer, so there is no fungus growth or splitting able to occur on the surface of the board, therefore, giving **UltraShield** a longer life span than regular uncapped composites.

- **Colour Fading**

The unique formulation of the shield ensures its colour stays much longer compared to conventional composite decking. The result of 3000 hours in a QUV accelerated weathering test chamber is Delta E <4.0, meaning no visible colour change can be observed with the human eye.

- **Painting or Oiling**

The multichromatic colours are a part of the shield's formulation meaning that you will never have to paint, sand, or oil again.



UltraShield Naturale™

UltraShield®'s unique design and colour choices will bring your decking project to life.

UltraShield® latest Naturale™ product range features a unique treatment on the Shield. It's the most natural feeling capped composite available. Walk barefoot or lie down in comfort. With no splinters you can be sure that kids and family pets can safely enjoy the decking.

And with **UltraShield®'s** built in protection against UV rays. Don't worry about colour fading. Your decking will remain beautiful for years to come.

Colour Collection

Oak, Teak, Walnut, Antique, Silver grey, Light Grey, Charcoal,

Pattern Selection

H1, H6


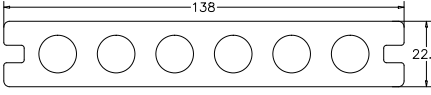

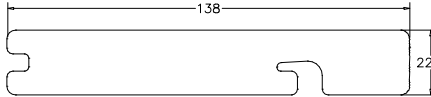

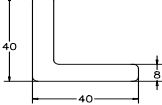
Decking

NewTechWood UltraShield® decking comes in solid & hollow profiles for commercial and residential applications. All of them are wrapped 360 degrees, including the grooves. The shield provides **ULTRA PROTECTION** against moisture, mould, fade, and mildew.

The bullnose board US33 requires MG-3 starter clip for installation.

All available in UltraShield Naturel™ finish and the 7 colours.

Matching colours decking accessories including: coloured head stainless steel screws, starter clips, hidden fastener systems, end caps for hollow profiles, fascia boards are all available to perfectly finish the decking.

		<p>Hollow Decking Board UH02 138 x 23 x 4880mm</p>
		<p>Bullnose Stair Edge US33 138 x 23 x 2800mm</p>
		<p>Fascia US20 40 x 40 x 2800mm</p>

*Also it is available in all colours.



**NewTechWood DeScratch
Capped Composite Decking Repair Kit**

Best for nail holes, chips, dents, and scratches

Teak, Walnut, Antique, Light Grey and Charcoal
2 x10cm Wax Sticks / pack; Applicator included



**NewTechWood Composite Deck
Stainless Steel Coloured Head Screws**

Best for neat finishes on starting and ending boards as well as fascias and stair treads.





Teak, Walnut, Antique, Light Grey and Charcoal
#8 x 2", 100 screws / pack; #2 Square drive bit included

Decking Clips

The clips play a significant role in any installation of composite decking, and should be understood before starting any installation to avoid mistakes.

NewTechWood has a locking systems which feature two clips. One locks and secures the board down (**Locking Clip** 🔒) and the other allows for expansion and contraction (**Control Expansion & Contraction - CEC Clip** ⚙️), so that you don't experience warping or distortion of any kind after installation. The system works because it allows the user to control the direction in which the expansion and contraction will take place.

The illustration shows the recommended placement of Locking and CEC Clips when installing a different number of **UltraShield®** decking boards.

Decking Clips	Locking Clip 🔒	CEC Clip ⚙️
T Clip System <ul style="list-style-type: none"> Economical Easy installation 5.5 mm gap 	 <p>TC-10 (Stainless Steel)</p>	 <p>TC-2 (TPO Polymer)</p>
Mini Clip System <ul style="list-style-type: none"> Stainless Steel Easy installation 1.0 mm gap 	 <p>MG-2 (Stainless Steel)</p>	 <p>MG-1 (Stainless Steel)</p>

Starter Clip

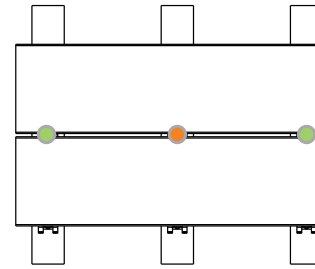
For fixing the first board:



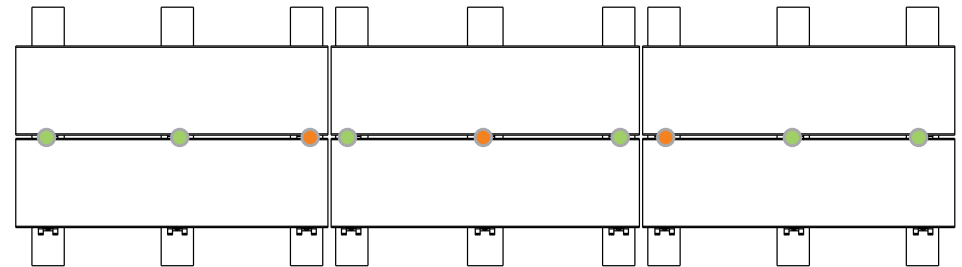
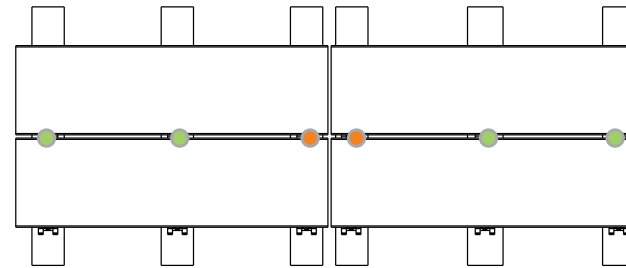
MG-3 (Stainless Steel)

Due to the small gap of the MG Clips there might be differences in gap sizes after installation as the composite itself has width tolerances.

Please contact the manufacturer to understand if this clip is approved to be installed in your area.



● Locking Clip
● CEC Clip



Please visit www.newtechwood.uk for full installation guides.





UltraShield® Naturale™ Cladding

NewTechWood makes wall cladding a breeze by utilizing a patented aluminium clip system to install the cladding. The system allows for air circulation between the cladding and joists, keeping the inside dry by isolating water from the outside.

Available in 5 colours: Teak, Walnut, Maple, Antique, and Light Grey.



**Shadowline Cladding
US31**

Cladding that creates a channel between two boards for aesthetics.



**F Profile
US44**

The F profile is used to finish off outside corners or windows.



**I Profile
US45**

The I profile is used to connect two boards acting as breaker board.



**Outside Corner
US46**

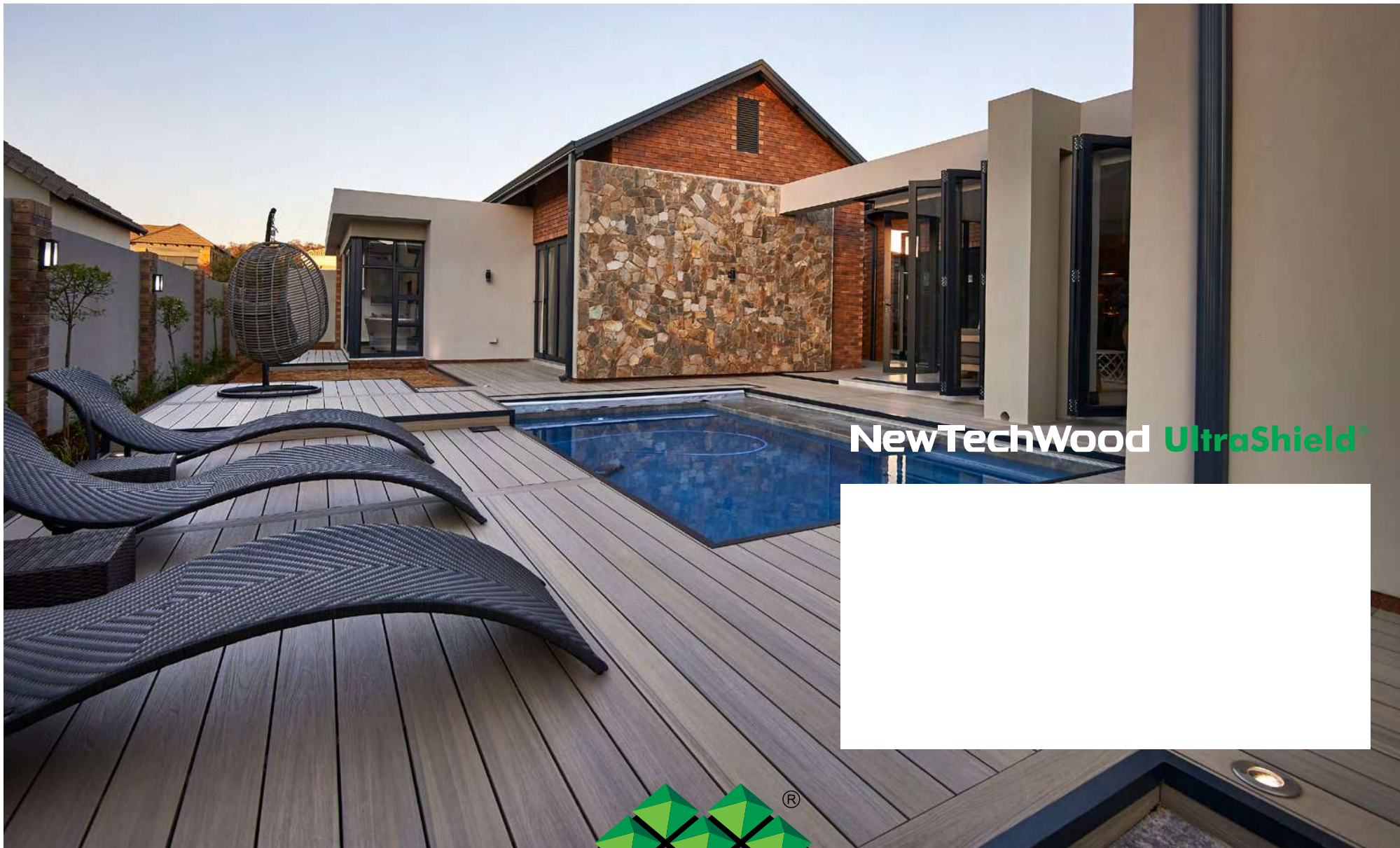
The outside corner is used when two boards meet to create an exterior corner.



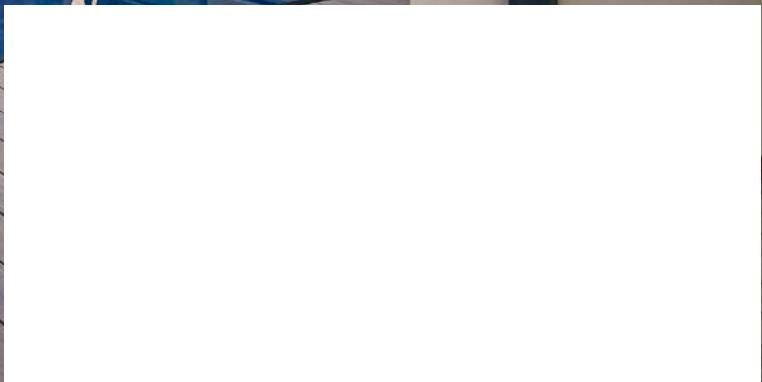
**Inside Corner
US47**

The inside corner is used when two boards meet to create an interior corner.





NewTechWood UltraShield®



NewTechWood

Available from:
Maple Plastics, Units 4-6 Charter Way,
Hurdsfield Industrial Estate, Macclesfield, Cheshire, SK10 2UE
01625 434 043

www.newtechwooduk.com

Email: sales@newtechwooduk.com

UltraShield® UK Product Catalogue 2018
2018 Nov. SFM: 99030xxx
NewTechWood UltraShield® is
registered trademarks © All rights reserved.